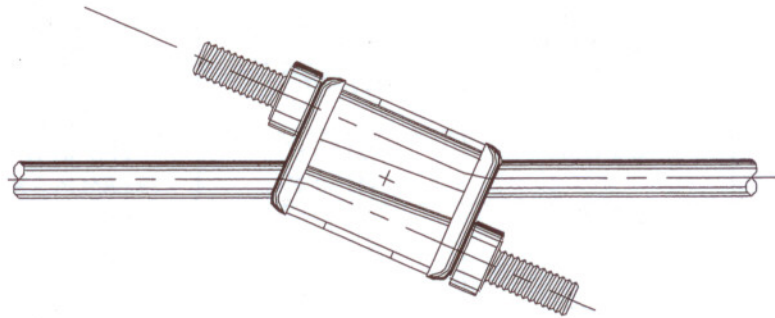


Rod Combinations

IMPORTANT NOTE! The rod combinations described in this section are provided as guidelines only for 9/16" diameter rods.

Rod combinations should always be checked for the specific application/ installation to ensure that lugs do not bend the rod in the threaded portion of the individual rod (see related illustration below).



Three-Length Hoop System for Box-Beam Spreaders, Outside Chute (46" tie rods)

Utilizing Stock Silo Rod Lengths: 13'8", 17'0", 19'10"

| Nominal Silo Size | Rod Combination | | Silo Outside Range | |
|-------------------|-------------------------|--------------------------------------|--------------------------------------|--------------------------------------|
| | Main Hoop | Spreader Hoop | Diameter | Circumference |
| 10 ft. | (2) 17'0" | (1) 17'0" (1) 13'8" | 9'11" to 10'6" (3.02m to 3.20m) | 31'3" to 32'11" (9.53m to 10.03m) |
| 12 ft. | (3) 13'8" | (1) 19'10" (1) 17'0" | 11'9" to 12'7" (3.58m to 3.83m) | 37'0" to 39'7" (11.27m to 12.04m) |
| 14 ft. | (2) 17'0" (1) 13'8" | (1) 17'0" (2) 13'8" | 13'9" to 14'8" (4.19m to 4.47m) | 43'2" to 46'8" (13.16m to 14.05m) |
| 16 ft. | (4) 13'8" | (3) 17'0" | 15'10" to 16'10" (4.82m to 5.13m) | 49'9" to 52'9" (15.06m to 16.13m) |
| 18 ft. | (1) 19'10" (3) 13'8" | (1) 17'0" (3) 13'8" | 17'8" to 18'9" (5.39m to 5.72m) | 55'8" to 58'9" (16.92m to 17.90m) |
| 20 ft. | (2) 19'10" (2) 13'8" | (1) 19'10" (1) 17'0" (2) 13'8" | 19'9" to 20'9" (6.02m to 6.32m) | 62'2" to 65'1" (18.91m to 19.87m) |
| 22 ft. | (3) 19'10" (1) 13'8" | (2) 19'10" (1) 17'0" (1) 13'8" | 21'9" to 22'8" (6.63m to 6.91m) | 68'4" to 71'3" (20.83m to 21.71m) |
| 24 ft. | (4) 19'10" | (3) 19'10" (1) 17'0" | 23'7" to 24'7" (7.19m to 7.49m) | 74'0" to 77'3" (22.58m to 23.52m) |
| 30 ft. | (5) 19'10" | (4) 19'10" (1) 17'0" | 29'8" to 30'10" (9.04m to 9.40m) | 93'4" to 96'9" (28.41m to 29.52m) |